

For 73210-9993 Harley Davidson Motorcycles **made before 2/25/02**

Age Range: 3-7 Yrs.
 Weight Limit: 65 Lbs.
 Surfaces: Grass & Hard
 Speed: 2.5 / 5.0 MPH Forward
 2.5 MPH Reverse
 Colors: Blue Body
 Flame Trim
 Intro: 02-05-01 U.S.
 Suggested Retail: \$199.99
 Box Dimensions: 40" x 20" x 25"
 35 Lbs.
 Warranty: One Year Vehicle
 6 Months Battery

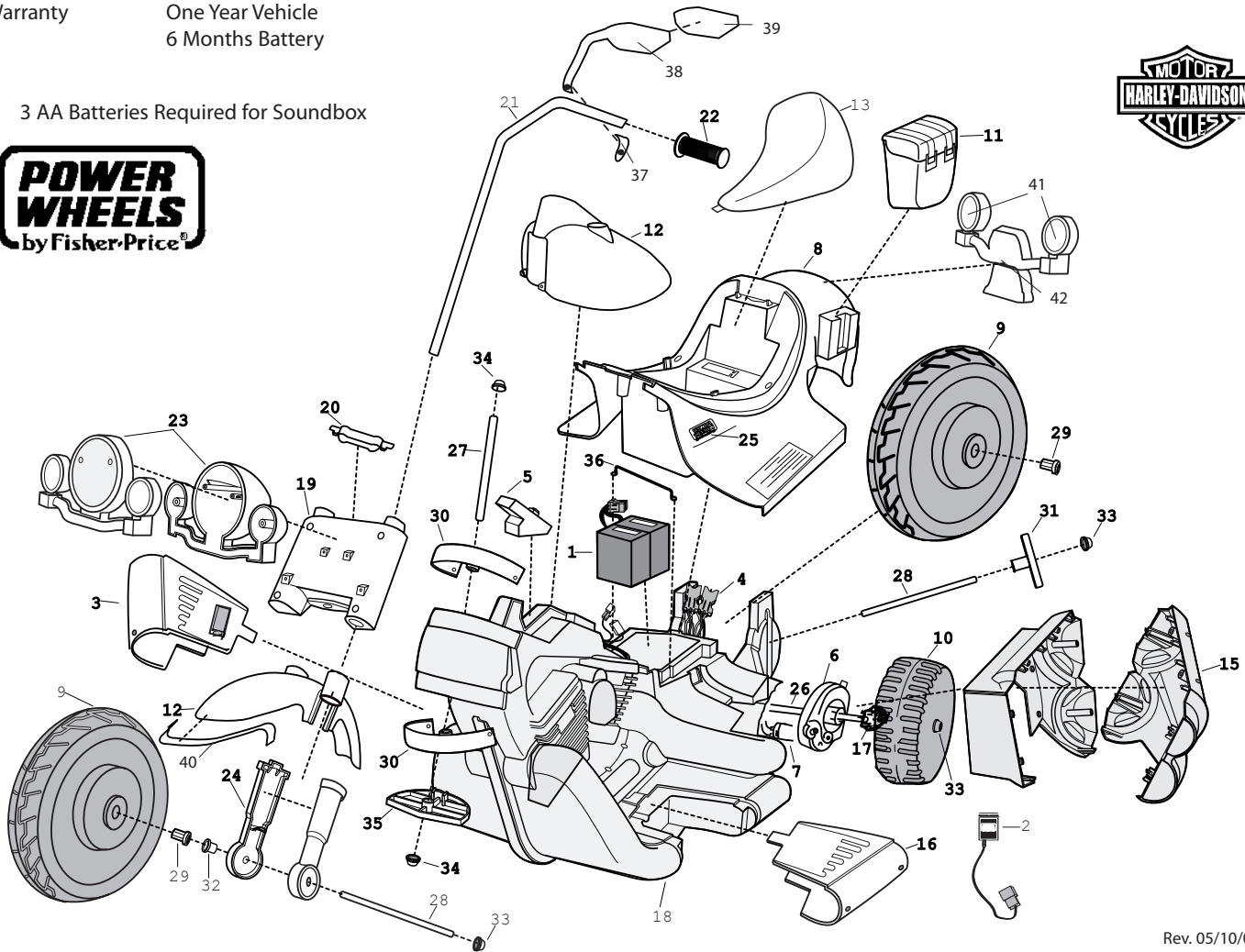
73210-9993

Harley Davidson® Motorcycle

Advanced Series
 Non H.E. 12 Volt



3 AA Batteries Required for Soundbox



Rev. 05/10/06

Item No.	Description	Part No.	Qty.	Item No.	Description	Part No.	Qty.	Item No.	Description	Part No.	Qty.
Working / Electrical Parts											
1	6 Volt Battery	00801-0712	2	21	Handlebar Set (banded)	74290-90291	1	Parts Not Shown			
2	12V Charger	00801-0973	1	22	Handgrip	74290-2399	2	Mirror Housing Right	75209-2459	1	
3	Right Ftbd Assy w/switch	74370-9239	1	23	Headlight Assembly	N/A/74370-92891	1	Decal Sheet	N/A/73210-0310	1	
4	Wiring Harness Assembly 74290-97991			24	Shock Set (banded)	74370-9329	1	Owners Manual	73210-0920	1	
5	Soundbox	74290-9559	1	25	PW Emblem	74460-9069	2	Small Parts Bag (purch parts)	N/A/73210-9139	1	
6	#7 Motor Gearbox Assm. 00968-29012			Hardware / Metal Parts				Hardware Bag	N/A/73210-9279	1	
7	Motor w/Pinion 74290-9539			26	Axle (drive wheel)	74290-4509	1	Hardware Bag (sub)	73210-9289	1	
Plastic / Other Parts											
8	Body (N/A)	74370-2109	1	27	Axle (fork)	74290-4529	1	Lg Parts Bag (molded)	N/A/73210-9039	1	
9	Large Wheel	74290-2159	2	28	Axle (front/rear wheel)	74290-4519	2	Gearbox W/Out Motor 00968-2801	1		
10	Drive Wheel (Small)	74290-2269	2	29	Bushing (hex)	73233-2559	4	Control Switch	00801-0873	2	
11	Saddle Bag	74290-2129	2	30	Bushing (steering)	74370-2359	2	3/4 Plastite Screw	0912-8001	61	
12	Front Fend & Gas Tank	73210-213A	1	31	Bushing (axle/silver)	74370-2379	2	Adhesive clip	0801-0313	1	
13	Seat	74290-2309	1	32	Bushing 7/16 (round)	74550-2689	2	Screw 8 x 1/2		5	
15	Exhaust Set inner and out (banded)	3800-6698	1	33	.437 Cap Nut	0801-0226	6	Footswitch 00801-0933	1		
16	Footboard / Left	74370-2249	1	34	.354 Cap Nut	0801-0604	3				
17	Driver	73233-2239	2	35	Steering Stop	74370-2369	1				
18	Frame set (L/& R) (N/A)	74370-9219	1	36	Battery Retainer	74290-4419	1				
19	Front Fork	75201-2349	1	37	Mirror Clamp	75209-2429	2				
20	Fork Cover/clamp	74370-2389	1	38	Mirror Housing Left	75209-2449	1				
				39	Mirror Lens	75209-2469	2				
				40	Fender tip	75210-2419	1				
				41	Tail light cover	75210-2479	2				
				42	Tail light assm	75210-2299	1				

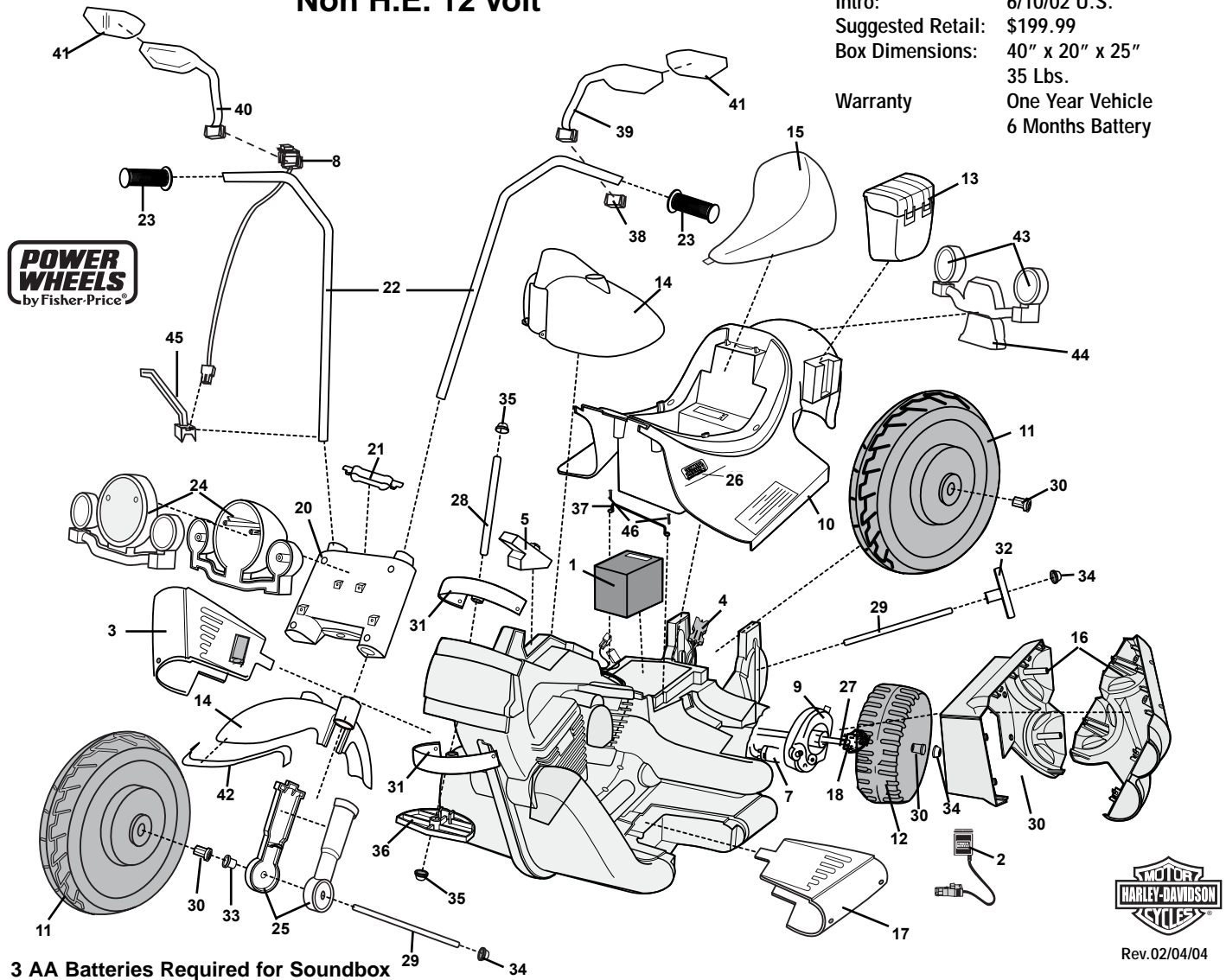
Bold and Underlined parts are to be purchased and installed by Service Centers only. These items may not be sold directly to consumers by Service Centers or Fisher-Price.

N/A = Not Available

73210-9997

Harley Davidson® Motorcycle Advanced Series Non H.E. 12 Volt

Age Range: 3-7 Yrs.
Weight Limit: 65 Lbs.
Surfaces: Grass & Hard
Speed: 2.5 / 5.0 MPH Forward
2.5 MPH Reverse
Colors: Blue Body
Flame Trim
Intro: 6/10/02 U.S.
Suggested Retail: \$199.99
Box Dimensions: 40" x 20" x 25"
35 Lbs.
Warranty: One Year Vehicle
6 Months Battery



3 AA Batteries Required for Soundbox

Rev.02/04/04

Item No.	Description	Part No.	Qty.	Item No.	Description	Part No.	Qty.	Item No.	Description	Part No.	Qty.
Working / Electrical Parts											
1	12 Volt Battery	00801-0638	1	18	Driver	73233-2239	2	38	Mirror Clamp	75209-2429	2
2	12V Charger	00801-0972	1	20	Fork (Front fork)	75201-2349	1	39	Mirror Housings Left	75209-2449	1
3	Right Footboard Assembly w/switch	74370-9239	1	21	Fork Cover/clamp N/A	74370-2389	1	40	Mirror Housing Right	74287-2429	1
4	<u>Wiring Harness Assembly</u>	<u>74287-9799</u>	1	22	Handlebar Set (banded)	74287-9029	1	41	Mirror Lens	75209-2469	2
5	Soundbox	74290-9559	1	23	Handgrip	74290-2399	2	42	Fender tip	75210-2419	1
6	<u>#7 Motor Gearbox Assm.</u>	<u>00968-2901</u>	2	24	Headlight Assembly N/A	74370-9289	1	43	Tail light cover	75210-2479	2
7	<u>Motor w/Pinion</u>	<u>74290-9539</u>	2	25	Shock Set (banded)	74370-9329	1	44	Tail light assm	75210-2299	1
8	Handlebar harness w/cover	74287-9759	1	26	PW Emblem	74460-9069	2	45	Wire Cover	74287-2439	1
9	<u>Gearbox W/Out Motor</u>	<u>00968-2801</u>	2	Hardware / Metal Parts				46	#8 x 3/4" Screw	0912-8001	61
Plastic / Other Parts											
10	<u>Body</u> N/A	73210-2109	1	27	Axle (drive wheel)	74290-4509	1	Parts Not Shown			
11	Large Wheel	74290-2159	2	28	Axle (fork)	74290-4529	1	Decal Sheet	N/A	73210-0320	1
12	Drive Wheel (Small)	74290-2269	2	29	Axle (front/rear wheel)	74290-4519	2	Owner's Manual	N/A	73210-0921	1
13	Saddle Bag	74290-2129	2	30	Bushing (hex)	73233-2559	6	Hardware Bag	73210-9289	1	1
14	Front Fender/Gas Tank	73210-213A	1	31	Bushing (steering)	74370-2359	2	Large Parts Bag	73210-9299	1	1
15	Seat	74290-2309	1	32	Bearing (axle/silver)	74370-2379	2	Control Switch	00801-0873	1	1
16	Exhaust Set (Inner and outer)	3800-6698	1	33	Bushing 7/16" (round/black)	74550-2689	2	Adhesive clip	0801-0313	1	1
17	Footboard / Left	74370-2249	1	34	.437 Cap Nut	0801-0226	6	PC Board	<u>74287-9729</u>	1	1
				35	.354 Cap Nut	0801-0604	3	Adhesive clip	0801-0313	1	1
				36	Steering Stop	74370-2369	1	#8 x 1/2" Screw	0801-0202	5	1
				37	Battery Retainer	74290-4419	1	FootSwitch	<u>00801-0933</u>	1	1

Bold and Underlined parts are to be purchased and installed by Service Centers only. These items may not be sold directly to consumers by Service Centers or Fisher-Price.

N/A = Not Available